



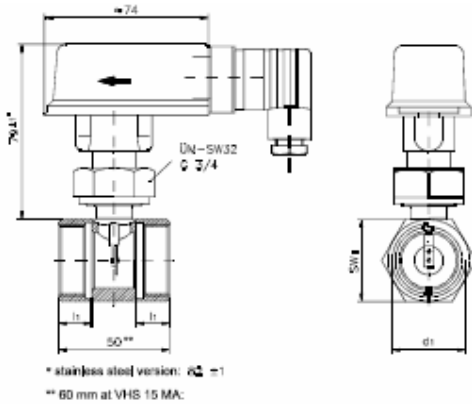
Flow Switches





Flow Switch

Flow Switch, Inline Type



Type/ Order code	Size	Process connection d1	Setpoint ranges (H ₂ O, 20°C)		Max. flow rate (l/min)	Dimensions		
			increasing flow (l/min)	decreasing flow (l/min)		L1	Nut size ws1 (mm)	
							Brass	Stainless Steel
VHS 08 M	DN 8	1/4" BSP	2,1...2,7	1,8...2,4	45	11	27	27
VHS 10 M	DN 10	3/8" BSP	2,5...3,2	2,2...2,9	60	11	19	27
VHS 15 M	DN 15	1/2" BSP	3,4...4,2	3,0...3,8	67	11	19	27
VHS 15 MA	DN 15	1/2" BSP male	2,5...3,2	2,2...2,9	60	10	19	-
VHS 20 M	DN 20	3/4" BSP	7,0...9,1	6,4...8,2	120	15	27	32
VHS 25 M	DN 25	1" BSP	13,5...17,0	12,0...15,5	195	15	32	41
VHS 32 M	DN 32	1 1/4" BSP	15,5...20,5	14,5...19,0	240	15	46	46
VHS 40 M	DN 40	1 1/2" BSP	26,5...34,5	25,5...32,5	400	15	55	55
VHS 50 M	DN 50	2" BSP	39,5...51,0	39,0...50,0	400	15	70	70

Materials and pressure drop diagram

Type	Material		
	Upper section	Paddle system	Pipe section
VHS ...M-MS	Brass	Brass	Brass*
VHS ...M-VA	Stainless steel	Stainless steel	Stainless steel
VHS ...MK	Brass	PPO Noryl GFN3	Brass*
VKS ...M	PPO Noryl GFN3	PPO Noryl GFN3	Brass*

* As an option, a copper tee piece, for soldered connections, can be supplied. This will alter the specified setpoint ranges.

